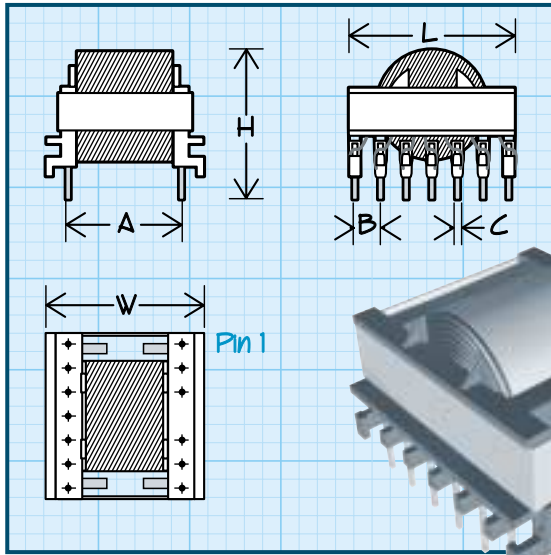


Switchmode Transformers on Ferrite ETD Cores



Power Ranges up to 500 Watts

Frequency Range 10KHz-250 KHz

UL Approved Class 130°C Insulation System

Standardized Components Fast Samples/Delivery

Easy Printed Circuit Board Insertion

Uses "Standard" ETD cores

UnGapped as well as Gapped Available

Suitable for use in all types of switching power supply circuits including:

- ▶ Flyback
- ▶ Forward
- ▶ Pushpull
- ▶ Halfbridge
- ▶ Fullbridge

Physical Parameters

	L	W	H	A	B	# of Pins	C (Square)
6665-XX	1.390	1.390	0.950	1.000	0.200	13	0.028
6666-XX	1.679	1.685	1.375	1.000	0.200	14	0.039
6667-XX	1.876	1.882	1.480	1.200	0.200	16	0.039
6668-XX	2.061	2.055	1.590	1.400	0.200	18	0.039

Design Form (General): Photocopy, fill out and fax for fast response

Type Flyback Forward PushPull HalfBridge FullBridge UnGapped Gapped

Size 6665 6666 6667 6668

Frequency Range _____ to _____ Hz Continuous Discontinuous

Power _____ Watts (Continuous) Duty Cycle _____

Input Voltage _____ Min. / _____ Max. Number of Output Voltages _____

	Output 1	Output 2	Output 3	Output 4
Voltage	_____	_____	_____	_____
Current	_____	_____	_____	_____
Inductance	_____	_____	_____	_____
DCR	_____	_____	_____	_____
Dielectric Withstand Voltage _____ Operating Temperature _____ @ _____				

Construction Specifications (If Applicable):

Winding #	1	2	3	4
Winding Description	_____	_____	_____	_____
Total Turns	_____	_____	_____	_____
Tap Turns	_____	_____	_____	_____
Wire Size	_____	_____	_____	_____
Wire Type	_____	_____	_____	_____
Start Pin	_____	_____	_____	_____
Finish Pin	_____	_____	_____	_____